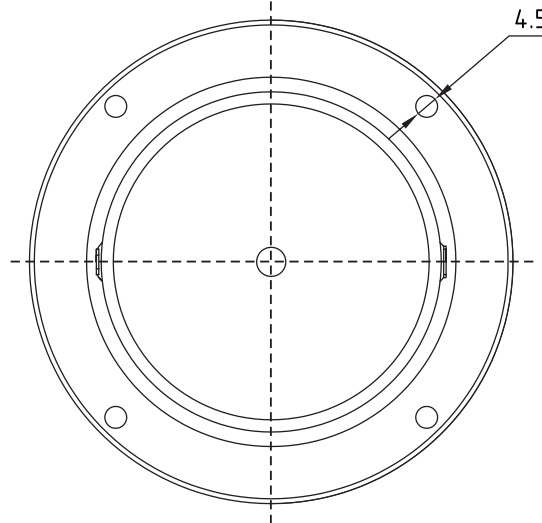
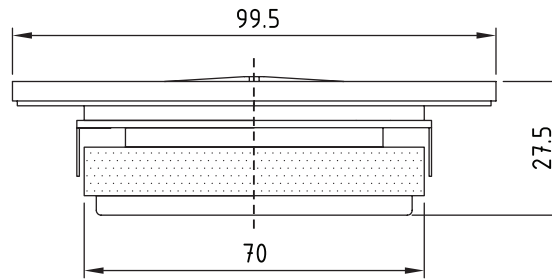


Features

- 1" titanium dome
- Rubber surround
- Precision phase lens
- Ferrofluid cooled voice coil
- High efficiency
- Very natural sounding high frequency production

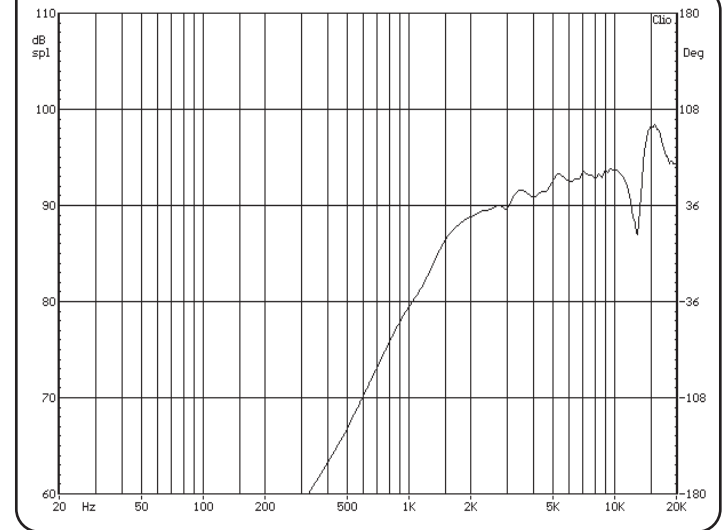
Parameters

Impedance (Ω)	8
Re (Ω)	7.2
Le (mH) @ 10 kHz	0.08
Fs (Hz)	1,659.0
Qms	1.55
Qes	2.74
Qts	0.99
Mms (g)	
Cms (mm/N)	
Sd (cm ²)	4.9
Vd (cm ³)	
BL (Tm)	
VAS (liters)	
XMAX (mm)	
VC Diameter (mm)	25
SPL (dB@1W/1m)	93.0
RMS Power Handling (w)	50
Usable Frequency Range (Hz)	3,000 - 20,000



Note: All dimensions in mm.

Frequency Response



Impedance/Phase

