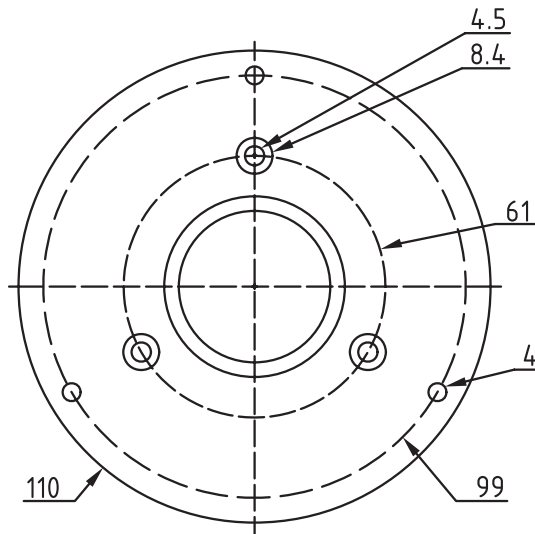
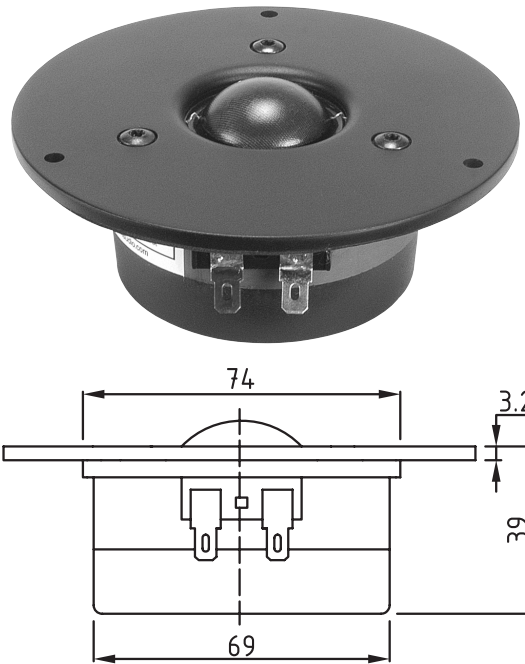


**Features**

- 1-1/8" treated silk dome
- Damped rear chamber
- Ferrofluid cooled voice coil
- Low free air resonance
- European design and performance
- Very smooth on and off axis response

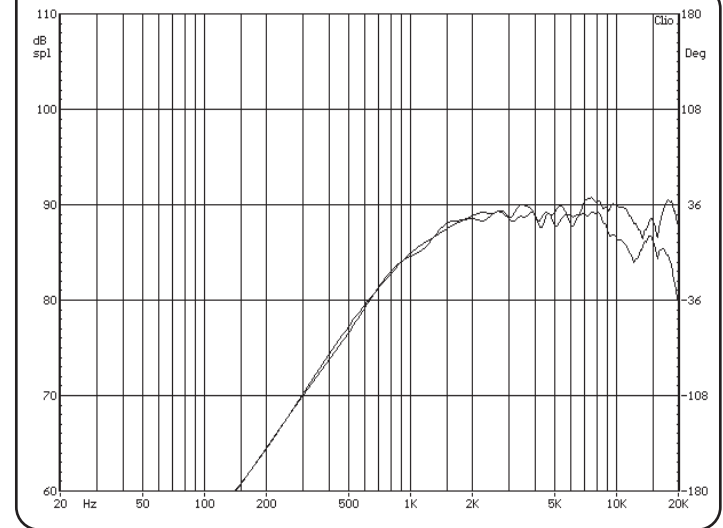
**Parameters**

Impedance ( $\Omega$ )	8
Re ( $\Omega$ )	5.5
Le (mH) @ 10 kHz	0.09
Fs (Hz)	637.2
Qms	0.82
Qes	0.90
Qts	0.43
Mms (g)	
Cms (mm/N)	
Sd (cm <sup>2</sup> )	6.6
Vd (cm <sup>3</sup> )	
BL (Tm)	
VAS (liters)	
XMAX (mm)	
VC Diameter (mm)	29
SPL (dB@1W/1m)	89.0
RMS Power Handling (w)	50
Usable Frequency Range (Hz)	1,300 - 20,000



Note: All dimensions in mm.

**Frequency Response**



**Impedance/Phase**

