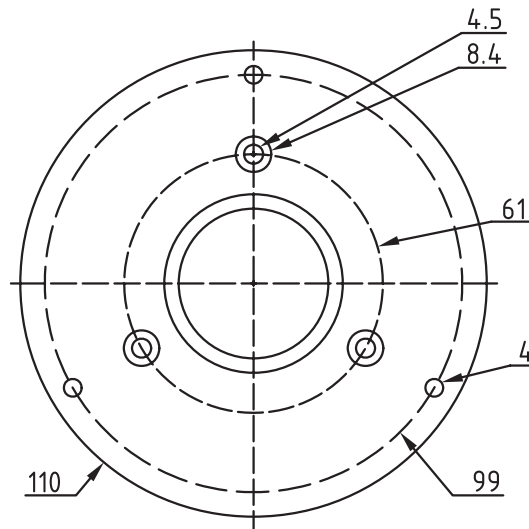
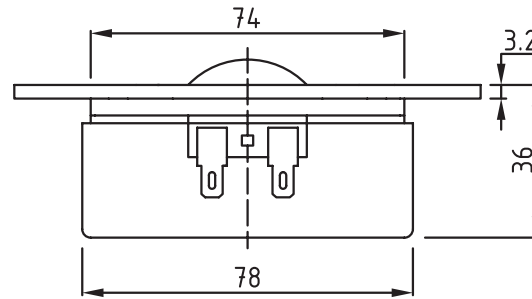


Features

- 1-1/8" treated silk dome
- Fully shielded motor structure
- Damped rear chamber
- Ferrofluid cooled voice coil
- Low free air resonance
- Very smooth on and off axis response

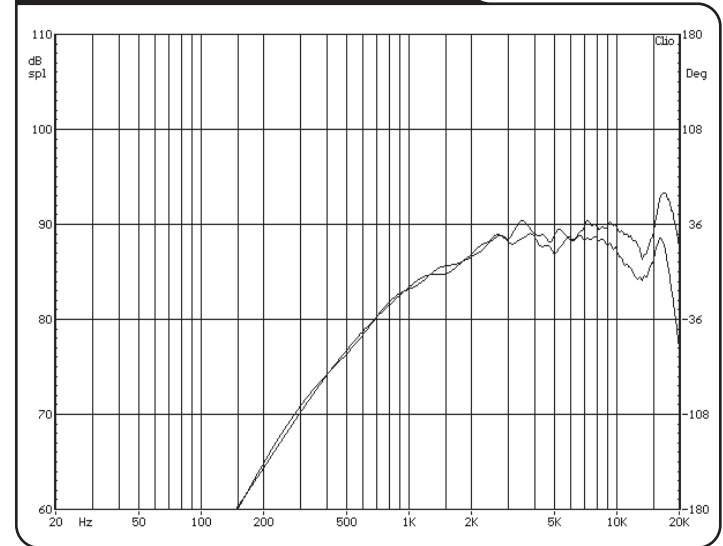
Parameters

Impedance (Ω)	8
Re (Ω)	5.6
Le (mH) @ 10 kHz	0.09
Fs (Hz)	812.9
Qms	1.97
Qes	1.60
Qts	0.88
Mms (g)	
Cms (mm/N)	
Sd (cm ²)	6.6
Vd (cm ³)	
BL (Tm)	
VAS (liters)	
XMAX (mm)	
VC Diameter (mm)	29
SPL (dB@1W/1m)	89.0
RMS Power Handling (w)	50
Usable Frequency Range (Hz)	1,600 - 20,000



Note: All dimensions in mm.

Frequency Response



Impedance/Phase

